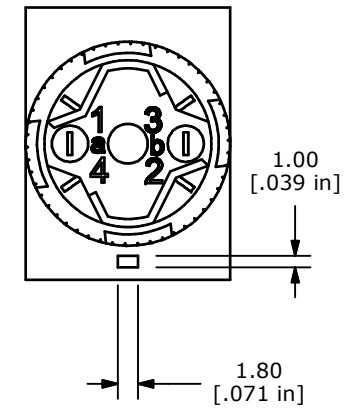
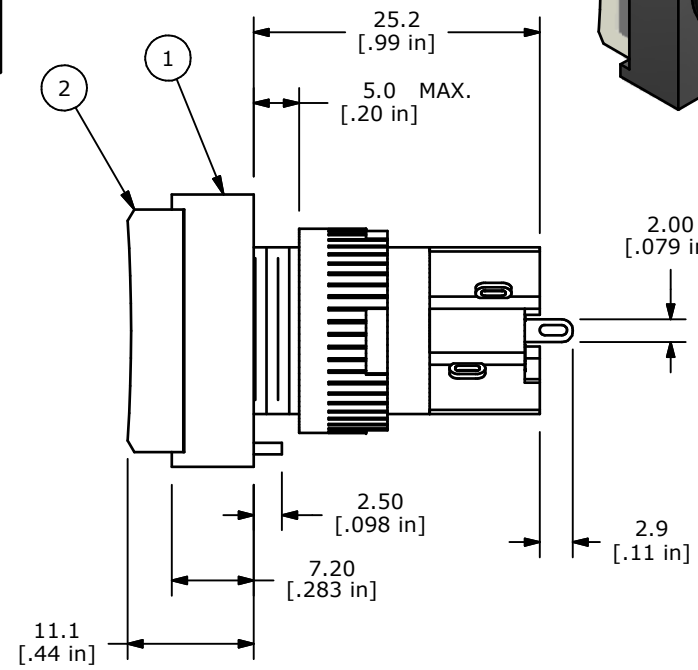
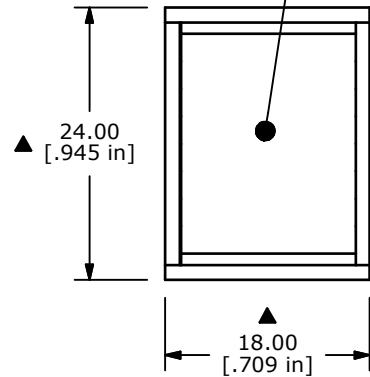
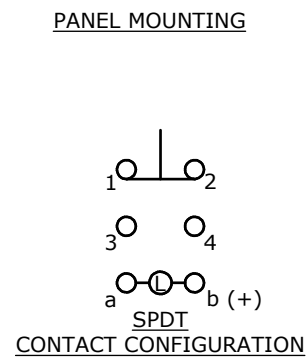
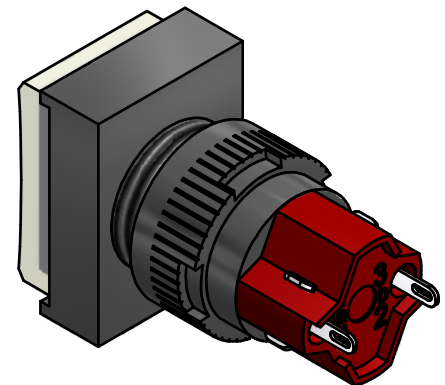
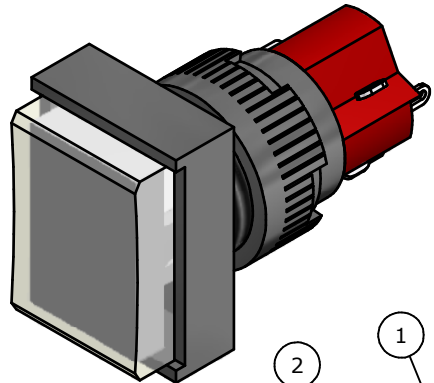
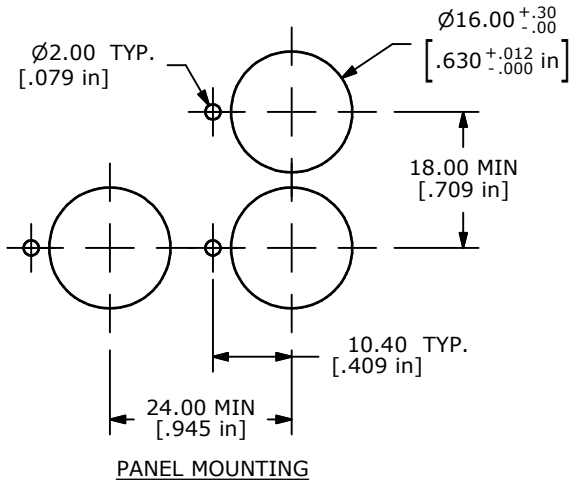


| PARTS LIST |     |             |   |  |
|------------|-----|-------------|---|--|
| ITEM       | QTY | PART NUMBER | DESCRIPTION                             |  |
| 1          | 1   | F040004     | D16EET11                                |  |
| 2          | 1   | F050205     | 50-002-05 WHITE TRANSPARENT RECTANGULAR |  |
| 3          | 1   | F050423     | 50-004-23 LED 24VDC RED                 |  |



- NOTE:**
1. ALL DIMENSIONS IN MM [INCH]
  2. GENERAL TOLERANCE: X.X=±0.4  
X.XX=±0.25
  3. TERMINAL NUMBERS FOR REF ONLY
  4. ELECTRICAL LIFE: 50,000 OPERATIONS
  5. INSULATION RESISTANCE: 1,000 MΩ MIN.
  6. OPERATING TEMP.: -25°C to 55°C
  - ▲ 7. LAMP VOLTAGE: 24V DC RED LED
  8. ▲ DENOTES CRITICAL PARAMETER.
  9. 2002/95/EC (ROHS) COMPLIANT
  10. RATING: 5A @ 250 VAC, 8A @ 125VAC  
6A @ 24 VDC
  11. SEAL RATING: IP40



|     |        |                         |         |     |
|-----|--------|-------------------------|---------|-----|
| A   | 21376  | RELEASED FOR PRODUCTION | 2/17/14 | EBP |
| REV | PCR NO | DESCRIPTION             | DATE    | BY  |

THE INFORMATION CONTAINED IN THIS DOCUMENT IS PROPRIETARY TO E-SWITCH AND IS NOT TO BE COPIED OR TRANSFERRED

|                       |           |     |         |     |
|-----------------------|-----------|-----|---------|-----|
| TITLE D16EET11KREDWHT |           |     |         |     |
| SCALE                 | DATE      | DR  | DWG     | REV |
|                       | 2/17/2014 | EBP | XF0891P | A   |